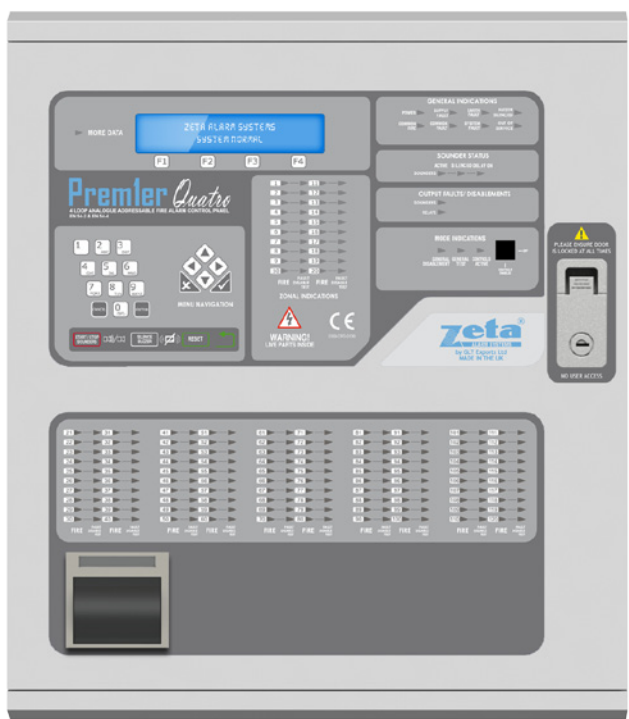


# Premier Quatro 8 Loop Analogue Addressable Fire Alarm Panel



## Description

The Quatro control panel is designed, manufactured and tested to fully meet the requirements of EN54 part 2 and part 4. This panel is of a modular nature and is now available with up to 8 loops. The 4 - 8 loop Quatro only runs Fyreye MKII Protocol.

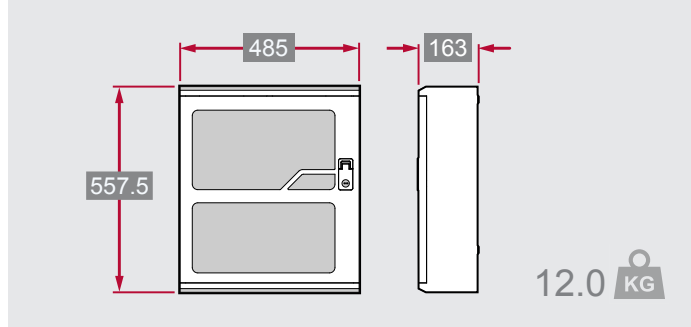
A specially designed Quatro Configuration software is available for configuring the panel or multi-panels and can be downloaded to the system via USB connection.

Up to 32 panels/repeaters can be networked over 10,000m of data cable and a special alarm management system can provide all needs for very large projects such as university campus, hospital complex etc.

## Features

- 4-8 loop, expandable by loop cards
- 120 zone LEDs
- 250 programmable zones
- Multi-language support (English, Spanish, Portuguese, French, Hungarian, Italian, Lithuanian & Dutch)
- Day/night mode delays
- 4 x 40 character LCD display
- Real Time Clock
- 4096 entry event log
- 20 character device text
- 18 character zone text
- Zone or Device Disablement
- 2 x conventional sounder circuits
- Aux 24V supply
- 1 x fire relay
- 1 x fault relay
- Outputs programmable by zones
- Can be configured via PC or via Panel.

## Dimensions (mm) & Weight (kg)



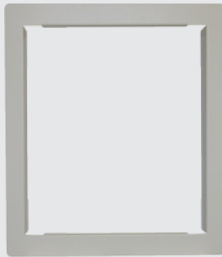
## Technical Specification

Model	QT/4-8	QT/5-8	QT/6-8	QT/7-8	QT/8-8
Part No	37-504	37-505	37-506	37-507	37-508
Supply Voltage	230V +10%/-15% @ 50-60 Hz				
System Voltage	29.5V Nominal				
Number of loops	4	5	6	7	8
Loop Capacity	250				
Zonal Indication - LED	120				
Zonal Indication - LCD	250				
Fault Output	Normally Energised Relay: 30V @ 1A				
Fire Output	Relay: 30V @ 1A				
Alarm Output	2 x Conv Sounder Output @ 450mA				
Printer	For printer option add suffix 'P' eg. QT/4-8P				
Dimensions	485 x 477.5 x 163				
Max Battery size	17Ah				
IP Rating	IP30				
Operating Temperature	-5°C to + 50°C				

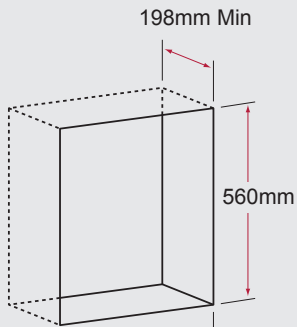
## Flush Mount Kits

QT8-FMB (Part No. 26-309)

Quatro Flush Mount Kit

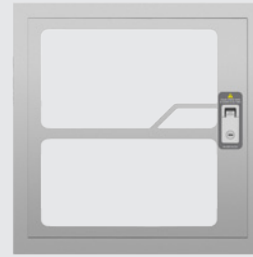


Dimensions of Wall Opening



QT8-FMB/SS (Part No. 26-312)

Quatro Stainless Steel Flush Mount Kit



Dimensions of Wall Opening

