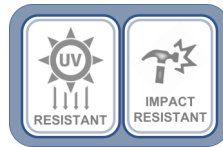


Ultra-Guard

The Small Cover with a Big Heart



Tough Protection for Products that matter

Lead the fight back against vandalism, unwanted or unnecessary damage. Protection designed to save lives

This versatile protective cover is designed to be compact but incredibly tough when it matters the most.

Manufacture in UV stabilised polycarbonate it will become your first line of defence, surviving hard hitting impacts from the front and from the side, protecting the products underneath that matter the most.

The Ultra-Guard will also impact in reducing unnecessary and unwanted everyday incidents that can be disruptive and financially crippling to businesses too.

Its compact design is not only pleasing on the eye, but more importantly less intrusive when protecting equipment in small, tight areas or when installed in narrow, busy corridors.

Ultra Guard is manufactured in a robust clear polycarbonate, providing good all round visibility, making the protected product easily identifiable in an emergency situation.

Each Ultra-Guard also comes with a single break-seal as standard allowing addition protection and security if necessary

Key attributes:

- Easy, Retrofit Installation (reduces installation time)
- Flush or Surface Mounting Options
- Break-Seal Mounting Area (allowing tamper prevention)
- Instructive Operation label (gives clear operating instruction)
- High Impact Protection (from both front & side)
- UV Stabilised (prolongs life of product from UV rays)
- Manufactured in Robust Polycarbonate

Ideal Protection for:

Manual Call Points, Emergency Stop Buttons, Emergency Door Release Buttons or any General Use Buttons or Key switches

Operation Label:

Gives clear instruction of how to operate and gain access to the product it is protecting if legitimate access is required.

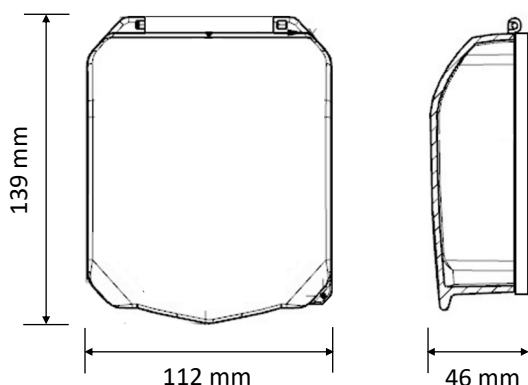
IP Rating:

Indoor Only (with gasket upgrade in line with IP55)

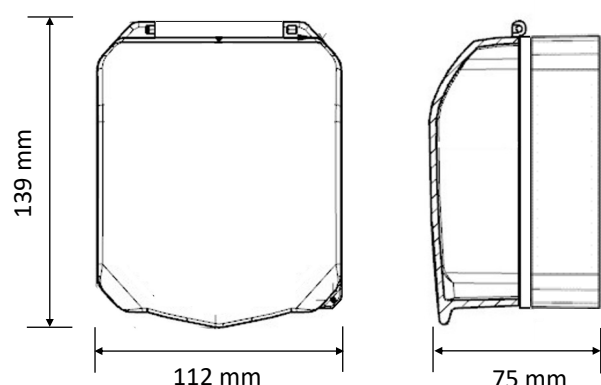
Application areas:

Hospitals, Schools, Universities, Airports, Shopping Centres, Public & Office Buildings, Industrial areas, Sports & Concert Arenas etc...

Product Dimensions Flush Mount



Product Dimensions Surface Mount



- **Additional Protection Option:** for Industrial / Weather Resistant Protection (see over)

Ultra-Guard

Ordering Codes

Flush Mount

Product code: **UG-F-IC**

Description: Ultra-Guard, Flush Mount, Indoor Cover

Surface Mount

Product code: **UG-S-IC**

Description: Ultra-Guard, Surface Mount, Indoor Cover.

Ordering Guidance:

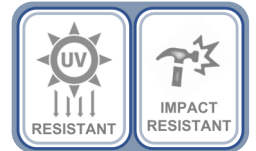
Surface Mount only - The surface mount spacer is designed to add additional depth to install the Ultra-Guard cover over surface mounted devices.

The spacer allows a single 20mm conduit entry point from either the top or bottom and comes complete with break off conduit blanking tabs providing a more professional finished



Manufacturing Material: High Impact Resistant Polycarbonate with UV Stabilisation

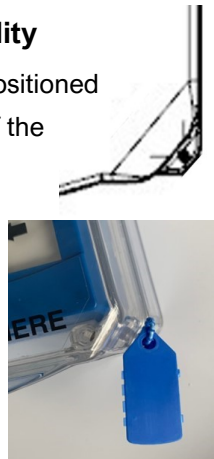
Protective Cover Hinge: Stainless Steel - A2



Ultra-Guard Break seal Facility

Break seal mounting holes are positioned on the lower right hand corner of the cover and frame.

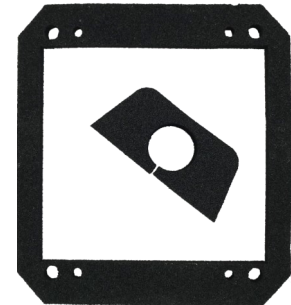
Easy and effortless if you require the break-seal for added security or protection



Weatherproof Gasket Set

If you are requiring a little extra protection from low level weatherproof or dust ingress issues.

Ultra-Guard has an additional gasket set that can be applied during or After installation reducing the risk of ingress



Ultra-Guard Accessories:

UG-BS-10 Ultra-Guard Replacement Break-seals, Pack of 10

UG-GASKT-01 Ultra-Guard, Weatherproof Gasket set for Flush & Surface Mount,

Maximum Size Coverage

