

Base for Intrinsically Safe Flame Detector (ZIS-33)



Description

The ZIS-33 base is designed to connect fire detectors into fire detection and alarm systems. It is suitable for usage together with ZIS-FLD intrinsically safe detectors.

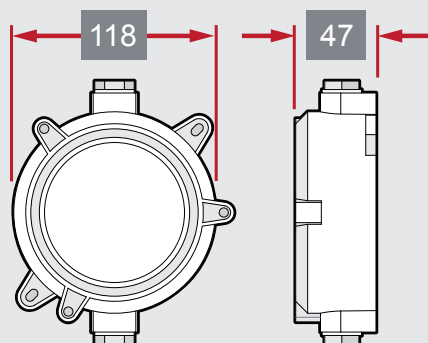
Design

The ZIS-33 base is equipped with four (4) terminals:

- terminal (1) "minus" detection line,
- two terminals (3 and 3'), input and output "plus" detection line, short-circuit through contact with the detector to ensure line continuity (control of detector removal),
- terminal (2) for connecting the MKII-RL/W or MKII-RL/C remote LED indicators.

The ZIS-33 base is designed for installation of intrinsically safe (IS) detectors. It has two cable glands – for input and output of wires for ceiling installation. The base has a ring fastened with three screws to avoid the detector removal without a special tool.

Dimensions (mm)



Technical Specification

Model	ZIS-33
Part No.	84-115
Diameter of installation cable wires	2mm max
Spacing between installation holes	140mm
Dimensions	Ø118 x 47mm