

Explosion Proof Well Glass Luminaire (ZTFL/EXD)



Description

Explosion proof well glass luminaire. A toughened clear glass which is cemented into a retaining ring and bolted to the main body.

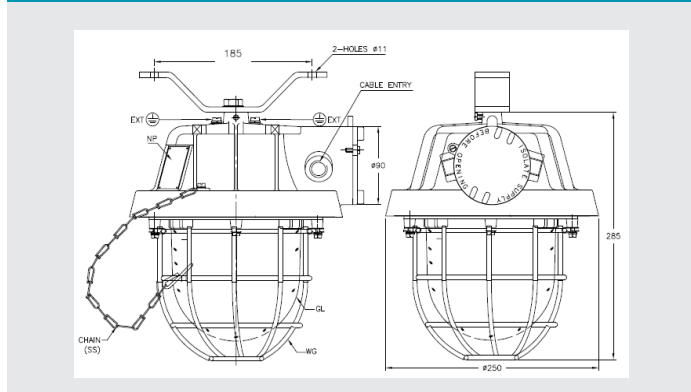
The lamp holder is mounted on suitable brackets for wiring and proper heat dissipation.

The lighting source is 3 x Red high power LED's.

Technical Specification

Model	ZTFL/EXD
Part No.	
Type of Protection	Flame Proof - Exd
Area Classification	Zone 1 & 2
Gas Groups	Group I, II A, II B & II C)
Apparatus Standard	IS: 2148-2004 (IEC 60079-1 /2001) IS- 2206 Part I
CIMFR Certificate No.	CIMFR/TC/SR/H295 & CIMFR/TC/SR/H490
Approvals	CCE, BIS

Dimensions (mm)



Mechanical Specification

Material	Aluminium LM6
Weight	6.5kg (Approx)
IP Protection	IP65
Finish	Anti Corrosive Epoxy Powder Coated
Cable Entry	2 X (3/4" ET / 0.5" NPT / BSP / M20)
Glass	Toughened Borosilicate
Wireguard	5mm Welded Steel Construction
Reflector	Internal Reflector
Suspension	Type 'B' Ceiling Bracket (Standard)
Hinge:	'J' Hook Arrangement
Gasket	Neoprene
Hardware	Stainless Steel

Electrical Specification

Voltage	24Vdc
Lamp Wattage	8.0 Watt
Lamp Holder	Porcelain ES Cap - E27
Wiring	Fibreglass Class F Insulated 1.5 sq.mm Standard Copper
Max Cable Size	3 x 4 sq.mm
Int. Terminations	4 sq.mm Crimping Lugs
Insulators	Glass Fibre Reinforced DMC
Earthing	External 2 Nos - M6 Internal 1 No - M6
Flashrate	1 Hz