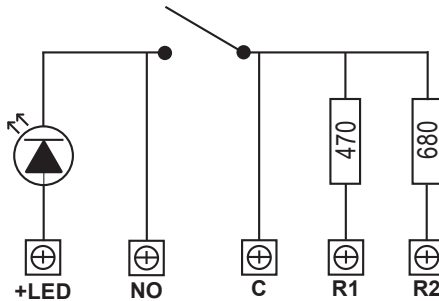


ZT-CP4 Conventional Surface Mount Manual Callpoint

Connection options



On the back of the call point there are 5 screw terminals connected to the internal PCB. Depending on where the wires are connected, the call point provides a series resistor, activates an internal LED or can simply provide a closing contact. If you choose to connect the +IN cable to the terminal marked LED the call point, when operated, will switch on the internal red LED. Alternatively if you connect to the NO terminal the LED will not operate.

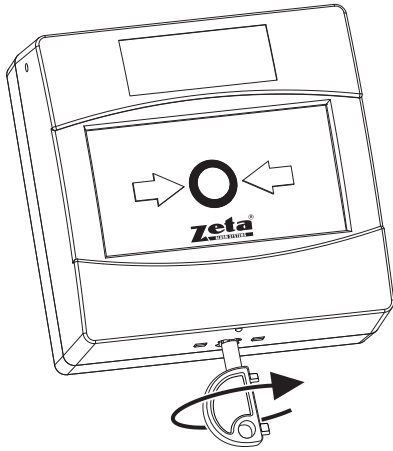
There are three different options for connecting the -OUT wire. Connecting to the C terminal provides a clean contact without any series resistor(*). Choosing either the R1 or R2 terminals incorporates a series resistance, where R1 is a 470 Ω (5% - 2 W) and R2 is a 680 Ω (5% - 2 W). The table below confirms the different connection options:

	LED	NO	C	R1	R2
SWITCH		+IN	-OUT		
LED+SWITCH (*)	+IN		-OUT		
LED+SWITCH+R1	+IN			-OUT	
SWITCH+R2		+IN			-OUT
SWITCH+R1		+IN		-OUT	
LED+SWITCH+R2	+IN				-OUT

(*) the current must be limited to 10 mA to avoid LED damages.

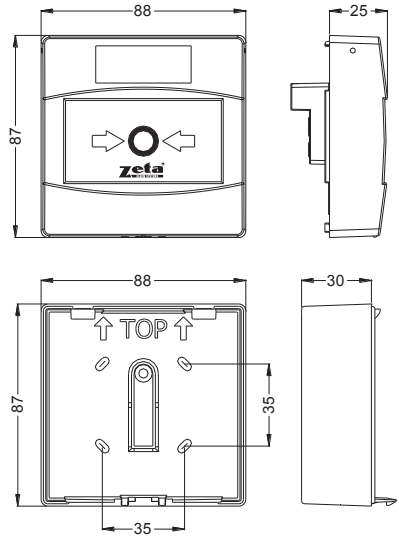
Important note: Please note that incorrectly connecting the power supply directly between the "LED" and "NO" terminals can damage internal components, as the power supply will be directly applied to the LED. Carefully check your connections before applying power.

Reset Instructions



Turn clockwise to reset

Dimensions



Technical Specifications

Maximum Voltage	30 Volt
Minimum Voltage*	4,5 Volt if LED with R1 is choosen 6,0 Volt if LED with R2 is choosen
Current Rating (non-operated)	0 mA
Current Rating (operated)	18 mA @12 Volt - R1
	13 mA @12 Volt - R2
	45 mA @24 Volt - R1
	31 mA @24 Volt - R2
Cable Termination	0,5 - 2,5 mm
Operating Temperature	-30 / +70 °C
Humidity	0 - 95 %
IP rating	42
Material	ABS/Polycarbonate/PA6+glass fiber

*Below minimum voltage led current is lower than 7 mA

21 **CE**
2831

zeta[®]
ALARMS LIMITED

Zeta Alarms Limited

Detection House, 72-78 Morfa Road Swansea, SA1 2EN
Telephone: +44 (0)1792 455 175
Email: info@zetaalarmsystems.com

21
2831-CPR-F4460

EN 54-11:2001+ A1:2005
Conventional Type A Indoor
Manual Call Point

Zeta CP4/F
Conventional Flush Mount
Manual Call Point
Red series only