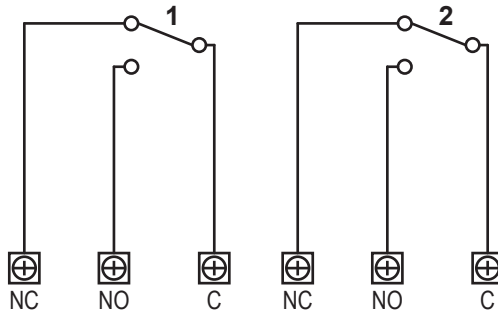


## ZT-CP4/F/11 Conventional Flush Mount Man. Call Point Double Pole

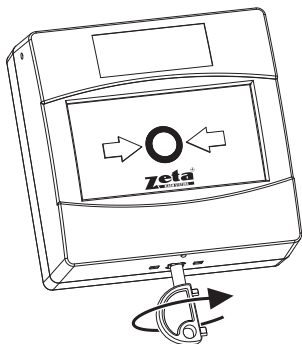
### Connection options



On the back of the call point there are 6 screw terminals connected to the internal PCB (3 wires for each internal switch). Every single switch contact is accessible independently. Connect wires as suggested in the table below.

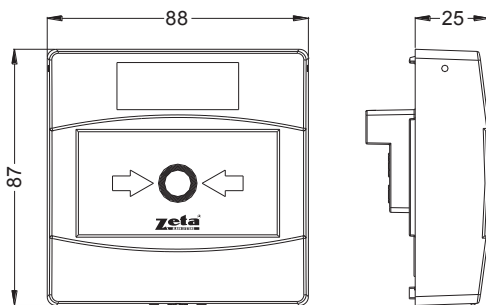
Positive	Negative	Description
NC	C	Normally close switch (open circuit when activated)
NO	C	Normally open switch (closed circuit when activated)

## Reset Instructions



Turn clockwise to reset

## Dimensions



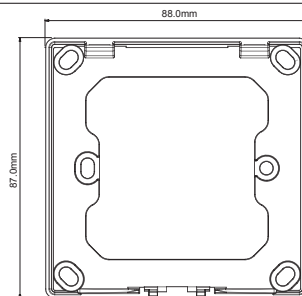
## Flush Mounting

Mount flush mount plate with hinge fixings at top.

Make cable connections to call point terminals.

Locate body on top hinge points first then seat firmly on bottom catch. Slide trim frame over call point body and seat on to flush plate catches to secure

## Mounting Dimensions



## Technical Specifications

Insulation resistance	> 100 Mohm @ 500 VDC
Maximum current	3A @ 250 VAC
	5A @ 125 VAC
Cable Termination	0,5 – 2,5 mm <sup>2</sup>
Operating Temperature	-30 / +70 °C
Humidity	0 - 95 %
Material	ABS/Polycarbonate/PA6+glass fiber



**zeta**<sup>®</sup>  
MANUFACTURED  
 Zeta Alarms Limited

Detection House, 72-78 Morfa Road Swansea, SA1 2EN  
 Telephone: +44 (0)1792 455 175  
 Email: info@zetalarmsystems.com

Zeta CP4/F/11  
 Conventional Flush Mount  
 Man. Call Point Double Pole